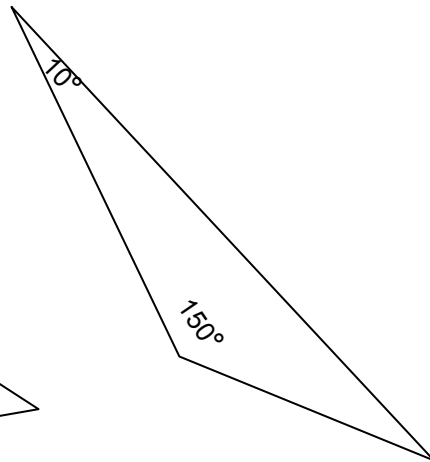
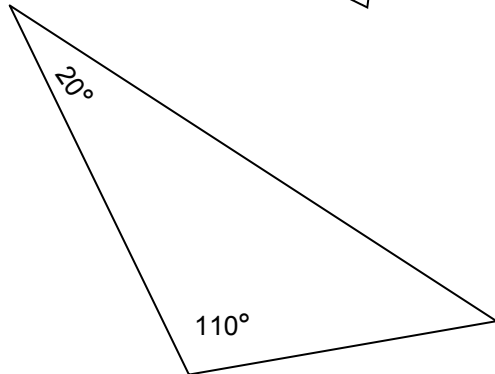
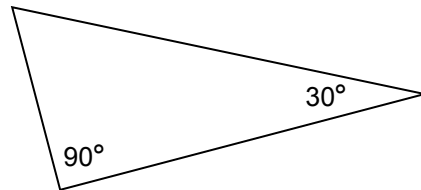
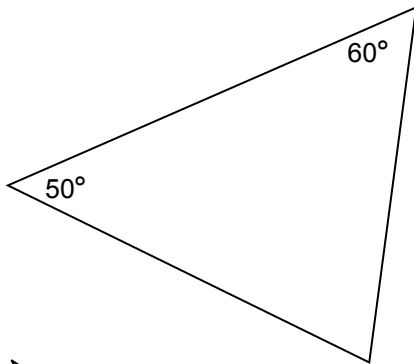
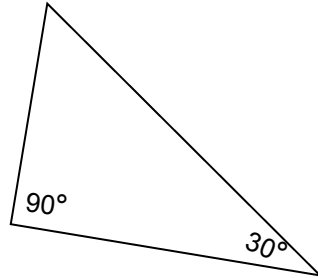
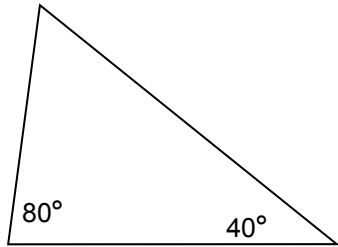


**Calculate** the missing angle in these triangles



**Calculate** the missing angle in these triangles

